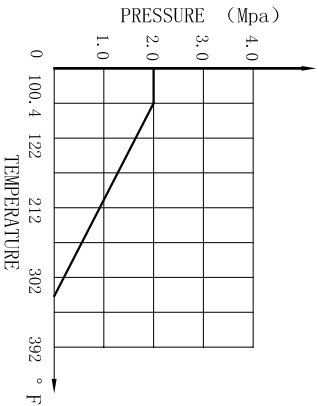
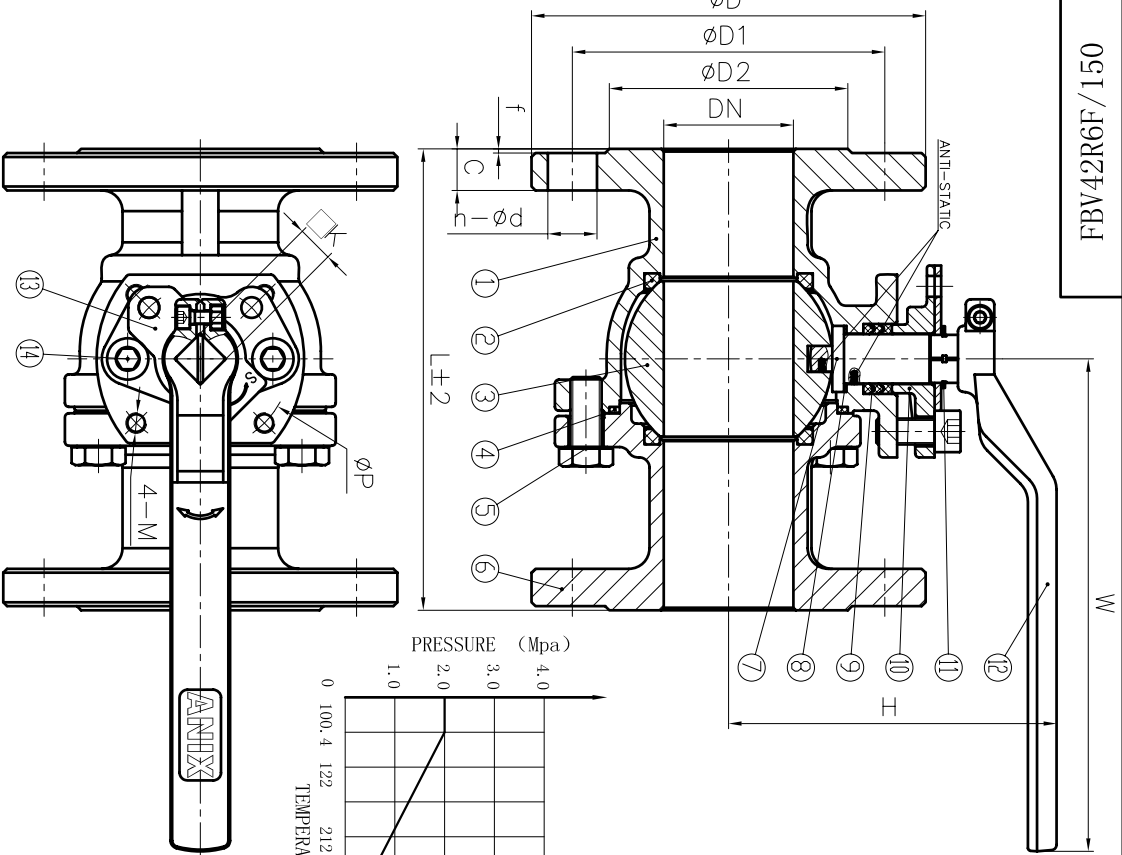


051/F9R2t5FBV



NPS	L	D	D1	D2	C	f	n-φd	W	H	K	P	M	Weight (Lb)
1/2"	4.252	3.543	2.374	1.374	0.394	0.063	4-φ0.63	5.118	3.189	0.354	1.654	MO.197	4.034
3/4"	4.606	3.937	2.752	1.689	0.433	0.063	4-φ0.63	5.118	3.307	0.354	1.654	MO.197	5.071
1"	5.000	4.331	3.126	2.000	0.472	0.063	4-φ0.63	6.299	3.583	0.433	1.969	MO.236	6.371
1 1/4"	5.512	4.528	3.500	2.500	0.512	0.063	4-φ0.63	6.299	3.740	0.433	1.969	MO.236	9.127
1 1/2"	6.496	4.921	3.874	2.874	0.591	0.063	4-φ0.63	7.874	4.646	0.551	2.756	MO.315	11.949
2"	7.008	5.906	4.752	3.626	0.630	0.063	4-φ0.748	7.874	4.961	0.551	2.756	MO.315	16.248
2 1/2"	7.480	7.087	5.500	4.126	0.709	0.063	4-φ0.748	9.449	5.394	0.551	2.756	MO.315	25.794
3"	7.992	7.480	6.000	5.000	0.748	0.063	4-φ0.748	10.630	6.378	0.669	4.016	MO.394	31.967
4"	9.016	9.055	7.500	6.189	0.945	0.063	8-φ0.748	12.598	7.402	0.669	4.016	MO.394	51.809

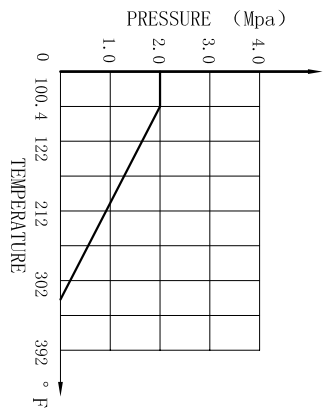
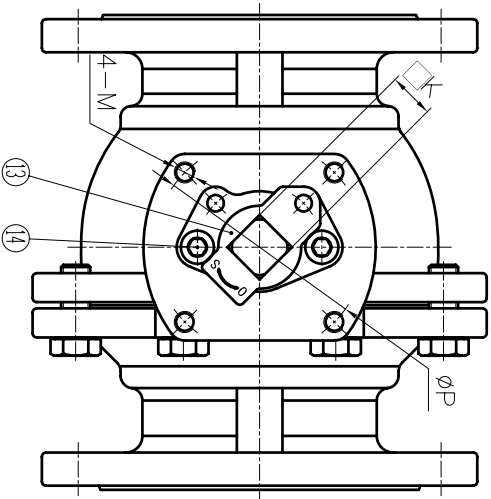
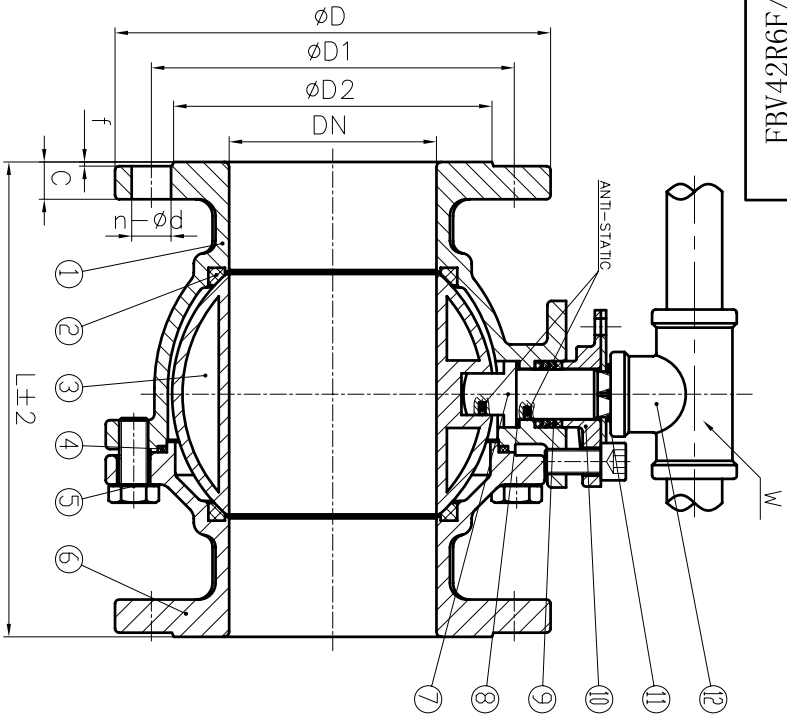
Nominal pressure	150LB		
Test pressure	Shell test	3.0	Mpa
Test pressure	seal test	2.2	Mpa
Test pressure	Gas seal test	0.6	Mpa

Applicable medium	water, oil, gas		
	Test temperature	water	normal temperature
Applicable temperature	-20~356°F		

NOTE:
 1. Design and Manufacture for valve according to ANSI B16.34-2009.
 2. Face-to-face dimensions for valve according to ASME B16.10-2009.
 3. End flange dimensions for valve according to ASME B16.5-2009.
 4. Inspection and Test for valve according to API 598-2009.

NO.	DESCRIPTION	QTY	MATERIAL
1	BODY	1	A351 CF8M
2	SEAT	2	RPPTFE
3	BALL	1	SS316
4	GASKET	1	RPPTFE
5	BOLT	-	A193 B8M
6	BONNET	1	A351 CF8M
7	STEM	1	A276 316
8	STEM WASHER	1	RPPTFE
9	PACKING	-	RPPTFE
10	GLAND	1	A351 CF8
11	SNAP RING	1	SS304
12	HANDLE	1	STAINLESS STEEL
13	STOPPER	1	SS304
14	HEXAGON HEAD BOLT	2	A193 B8M

MARK	BEFORE MODIFIED	AFTER MODIFIED	DATE
DRG.		APP.	
CHK.		DATE	
ANIX VALVE CO., LTD			SCALE
Flange Ball Valve			
150LB, CF8M, Fire Safe			
FBV42R6F/150			



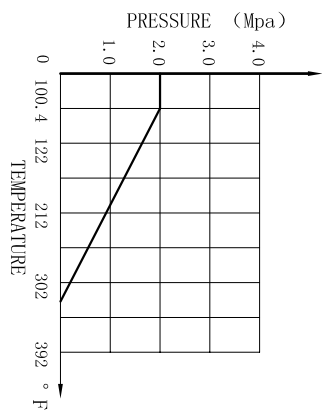
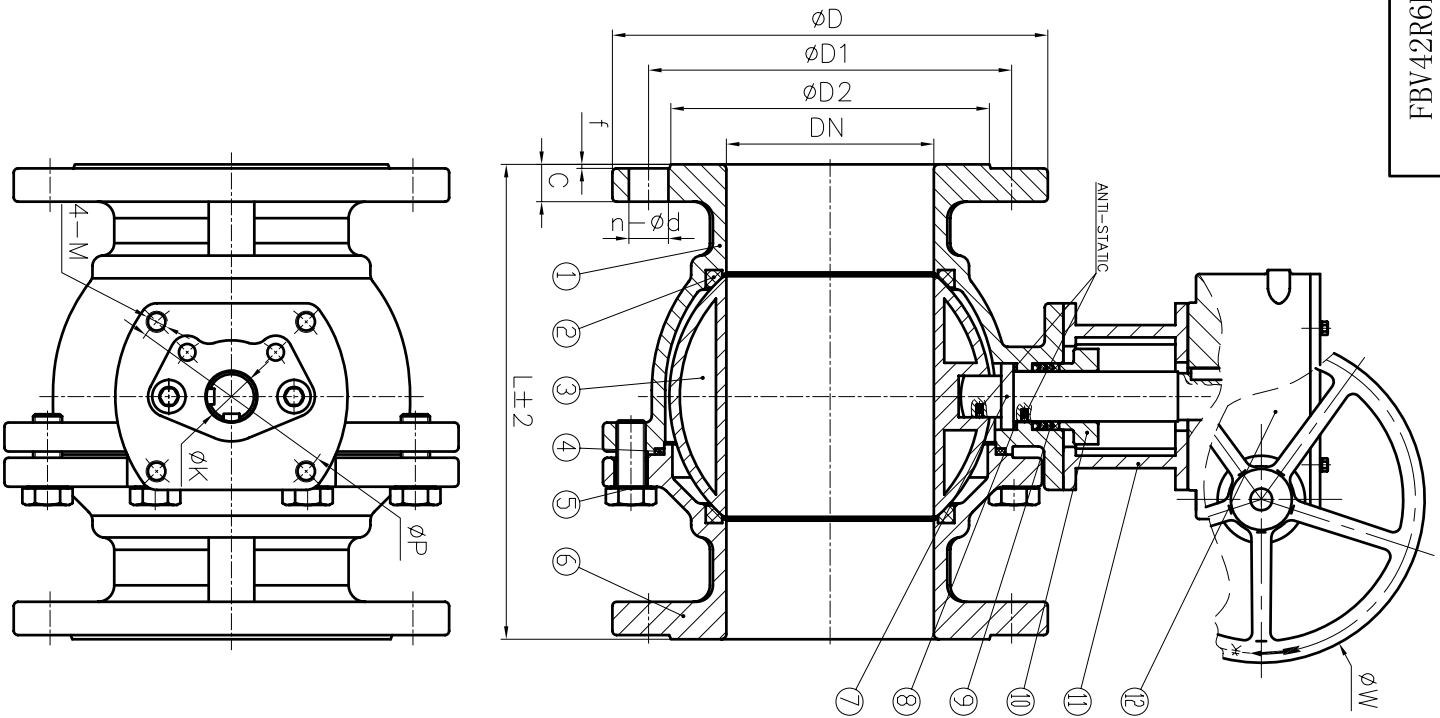
Nominal pressure		150LB	
Test pressure	Shell test	3.0	Mpa
	Gas seal test	2.2	
Test medium	water	air	Test temperature
	water, oil, gas		
Applicable medium		water, oil, gas	
Applicable temperature		-20~356°F	

NPS	L	D	D1	D2	C	f	n-ød	W	K	P	M	Weight (lb)
5"	14.016	10.039	8.500	7.311	0.945	0.063	8-ø0.866	21.654	0.827	4.016	MO.394	69.997
6"	15.512	11.024	9.500	8.500	1.024	0.063	8-ø0.866	25.591	0.827	4.921	MO.472	109.129
8"	17.992	13.583	11.752	10.626	1.142	0.063	8-ø0.866	31.496	1.063	4.921	MO.472	176.370

14	HEXAGON HEAD BOLT	2	A193 B8M
13	STOPPER	1	SS304
12	HANDLE	1	STAINLESS STEEL
11	SNAP RING	1	SS304
10	GLAND	1	A351 CF8
9	PACKING	-	RPTFE
8	STEM WASHER	1	RPTFE
7	STEM	1	A276 316
6	BONNET	1	A351 CF8M
5	BOLT	-	A193 B8M
4	GASKET	1	RPTFE
3	BALL	1	SS316
2	SEAT	2	RPTFE
1	BODY	1	A351 CF8M
NO.	DESCRIPTION	QTY	MATERIAL

MARK		BEFORE MODIFIED		AFTER MODIFIED		DATE	
DRA.		APP.		SCALE		FBV42R6F/150	
CHK.		DATE		ANIX®		ANIX VALVE CO., LTD	
				Flange Ball Valve		150LB, CF8M, Fire Safe	

NOTE:
 1. Design and Manufacture for valve according to ANSI B16.34-2009.
 2. Face-to-face dimensions for valve according to ASME B16.10-2009.
 3. End flange dimensions for valve according to ASME B16.5-2009.
 4. Inspection and Test for valve according to API 598-2009.



- NOTE:
1. Design and Manufacture for valve according to ANSI B16.34-2009.
 2. Face-to-Face dimensions for valve according to ASME B16.10-2009.
 3. End Flange dimensions for valve according to ASME B16.5-2009.
 4. Inspection and Test for valve according to API 598-2009.

Nominal pressure		150LB	
Test pressure	Shell test	3.0	test medium
	seal test	2.2	
Gas seal test	Gas seal	0.6	water
			air
Applicable medium	water, oil, gas		
Applicable temperature	-20~356 °F		

NPS	L	D	D1	D2	C	f	n- ϕ d	W	K	P	M	Weight (lb)	
10"	20, 984	15, 945	14, 252	12, 748	1, 220	0, 063	12- ϕ 0, 984	15, 748	1, 772	5, 512	M0, 630	352, 740	
WORM GEAR ACTUATOR													
12	1												
11	YOKE												
11	A351 CF8												
10	GLAND												
10	A351 CF8												
9	PACKING												
9	RPTFE												
8	STEM WASHER												
8	RPTFE												
7	STEM												
7	A276 316												
6	BONNET												
6	A351 CF8M												
5	BOLT												
5	A193 B8M												
4	GASKET												
4	RPTFE												
3	BALL												
3	SS316												
2	SEAT												
2	RPTFE												
1	BODY												
1	A351 CF8M												
NO.	DESCRIPTION											Q'TY	MATERIAL
	ANIX VALVE CO., LTD												
ANIX®													
Flange Ball Valve													
150LB, CF8M, Fire Safe													
FBV42R6F/150													
MARK	BEFORE MODIFIED	AFTER MODIFIED	DATE										
DRAW.		APP.											
CHK.		DATE											